

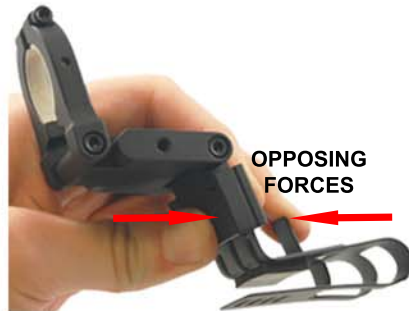
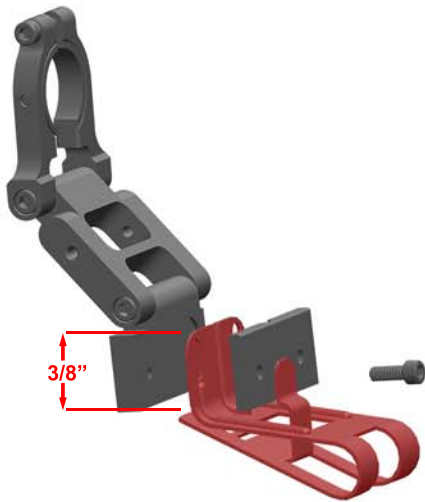
PART# BBE-UC3



BlendMount[®]
Innovative Mounting Solutions

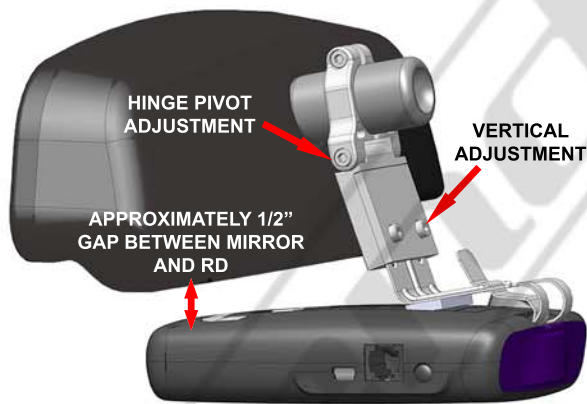
ESCORT
BELTRONICS

INSTALLATION INSTRUCTIONS FOR BELTRONICS AND ESCORT
SPRING CLIP REPLACEMENT WITH 3/8" LONG SLOT



1 - The RELEASE Button on the radar detector (RD) is NOT used with this mount. Remove the two screws and replace the spring clip. To release the tension of the spring clip, simply squeeze the TRIGGER and the back side of the mount together. This will lower the bottom portion of the spring clip allowing you to slide the RD on and off. When used properly, the spring clip avoids putting excessive pressure on the mirror stem when installing and removing the RD. **The top portion of the mount should barely move when the two opposing forces are applied.**

2 - Push the RD release button when installing and removing the RD onto the spring clip. Slide the clip into the RD as far as possible. Install the RD a few times so you can observe how the spring clip functions. When used properly, the spring clip avoids putting excessive pressure on the mirror stem when installing and removing the RD.



3 - Install the RD onto the mount. Make the necessary adjustments as shown above. Using the vertical adjustment, we recommend you adjust the RD so there is approximately 1/2" gap between the bottom of the mirror and the top of the RD. After all adjustments are made, be sure to check that the hinge pivot and vertical adjustment screws are tight. The screw on the very top of the mount should be tightened last. Grab the long arm of the allen wrench to assure that these screws are securely tightened. You will not strip out the tapped holes in the aircraft grade aluminum.

4 - To access the buttons of the RD you will need to gently push downward on the front of the RD with one finger and push the desired button with another finger. Then allow the RD to return to its original position by gently letting it spring upward. When accessing the buttons, be sure to push the RD downward just enough for your finger to fit between the RD and mirror. **Do not push down more than what is needed.**

NOTE : This mount can get extremely hot when sitting in direct sunlight. If you intend to remove your RD frequently, you may want to install the two gray "TOUCH STRIPS" included in the tool kit. Place them where your fingers make contact with the mount. They may be trimmed with a blade or knife.

FOR MORE INFO VISIT www.blendmount.com/videos



BlendMount - US PATENT # D625,580 S, D656,811 S, D653,980 S, D690,245 S, D690,246 S, D690,247 S and other patents pending